

Precision end cutters

 ideal-tek



ISO 13485
BUREAU VERITAS
Certification



ISO 9001
BUREAU VERITAS
Certification



Precision End Cutters

Ideal-tek precision end cutters are popular for fine mechanical work including watchmaking and repair. These cutters are tough enough for difficult jobs, ideal for working in confined spaces and for cutting hairsprings and soft metals.

BENEFITS

- Perfect joint alignment
- Non-slip textured handles
- Double-leaf springs to reduce fatigue
- No “slack” or “play”
- Lightweight

FEATURES

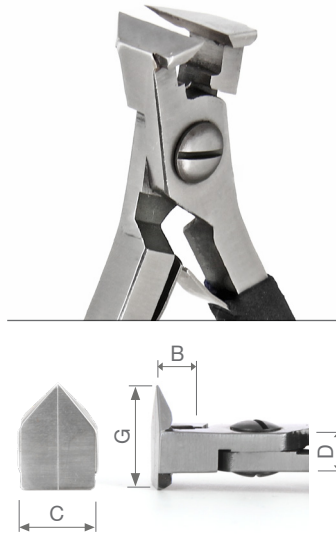
- Body material: AISI 420A Stainless Steel
- Blade material: AISI D2
- Monocomponent handles
- Lap Joint
- Blades hardness: 58-60 Rockwell Hardness (HRC)

Maintenance

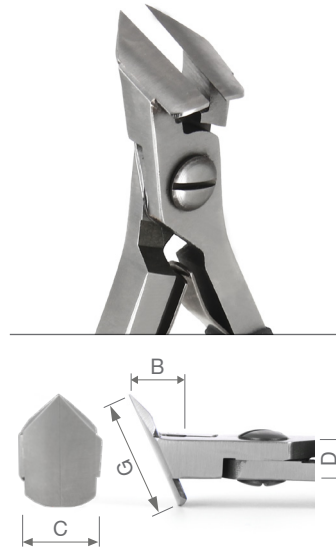
In order to preserve your cutters perfectly efficient keep a thin oil film on the tip head.

Dimensions

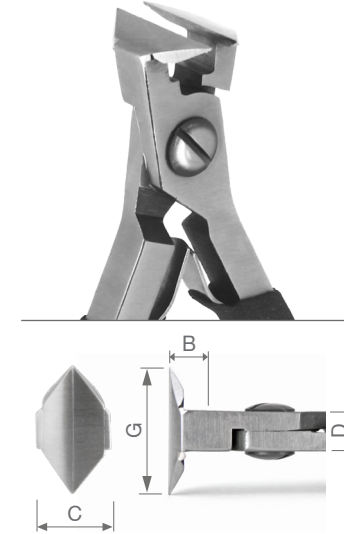
End cutters - pointed head



Oblique End cutters - pointed head



End cutters - double pointed head



Art. No.	Type	OAL[mm]	B[mm]	C[mm]	D[mm]	G[mm]
16.CR.BL	Pointed Head	115.0	6.0	11.5	6.4	16.0
17.CR.BL	Oblique pointed Head	120.0	8.5	11.5	6.4	19.5
17C.CR.BL	Oblique pointed Head	110.0	8.5	11.5	6.4	19.5
20.CR.BL	Double pointed Head	115.0	6.0	11.5	6.4	20.0

Mail address

Ideal-tek SA · p.o. box 17
6830 Chiasso · Switzerland

Shipping address

Ideal-tek SA · via Motta 4
6828 Balerna · Switzerland

Phone +41 91 683 32 29

Fax +41 91 683 03 71

E-mail info@ideal-tek.com

Web www.ideal-tek.com

